

BRS-12A3



12" active 3 channel subwoofer



Functional Design

BRS-12A3 is an ultra-compact, 3 channel, powered subwoofer designed for installation or portable use. With exceptional low frequency of 36 Hz and fast response time of the 12" long excursion driver, the BRS-12A3 is capable of 129 dB SPL. Weighing 25.6 kg with integrated handles and pole mount connections, this product is perfect for portable use. With discreet installation in mind, the 333 mm low profile design allows for easy installation under industry standard fixed seating or in the air with the optional ceiling bracket.

Power

The BRS-12A3 houses 2 kW of Class D amplifier power, split into a passive BRS-12 subwoofer channel link plus 2 x 500 W (4 ohm) for passive full range speaker combinations (see page 6 for a wide range of possible system setups).

Intelligence

This unit encompasses all the power for a complete system, controlled by Ohm's pro-A-sync DSP software through a USB interface, giving access to PEQ, limiting, gain, delay, firmware updates and more. RMS and look-ahead Peak limiter ensures total system protection. With rear mounted touch display for loading saved pre-set and accessing DSP parameters such as phase, gain, delay, level and gain reduction meters. A swipe down turns off the screen and swipe up turns it on again.

Problem Solving

Venues are never the same. Whether it's a small town hall or restaurant that requires a compact system, a long cathedral that needs distributed audio or an outdoor space that needs a wide angle spread to capture an audience up to 1000 people, the BRS-12A3 has the flexibility to power combinations of the passive BR series full range cabinets plus a second BRS-12 subwoofer.

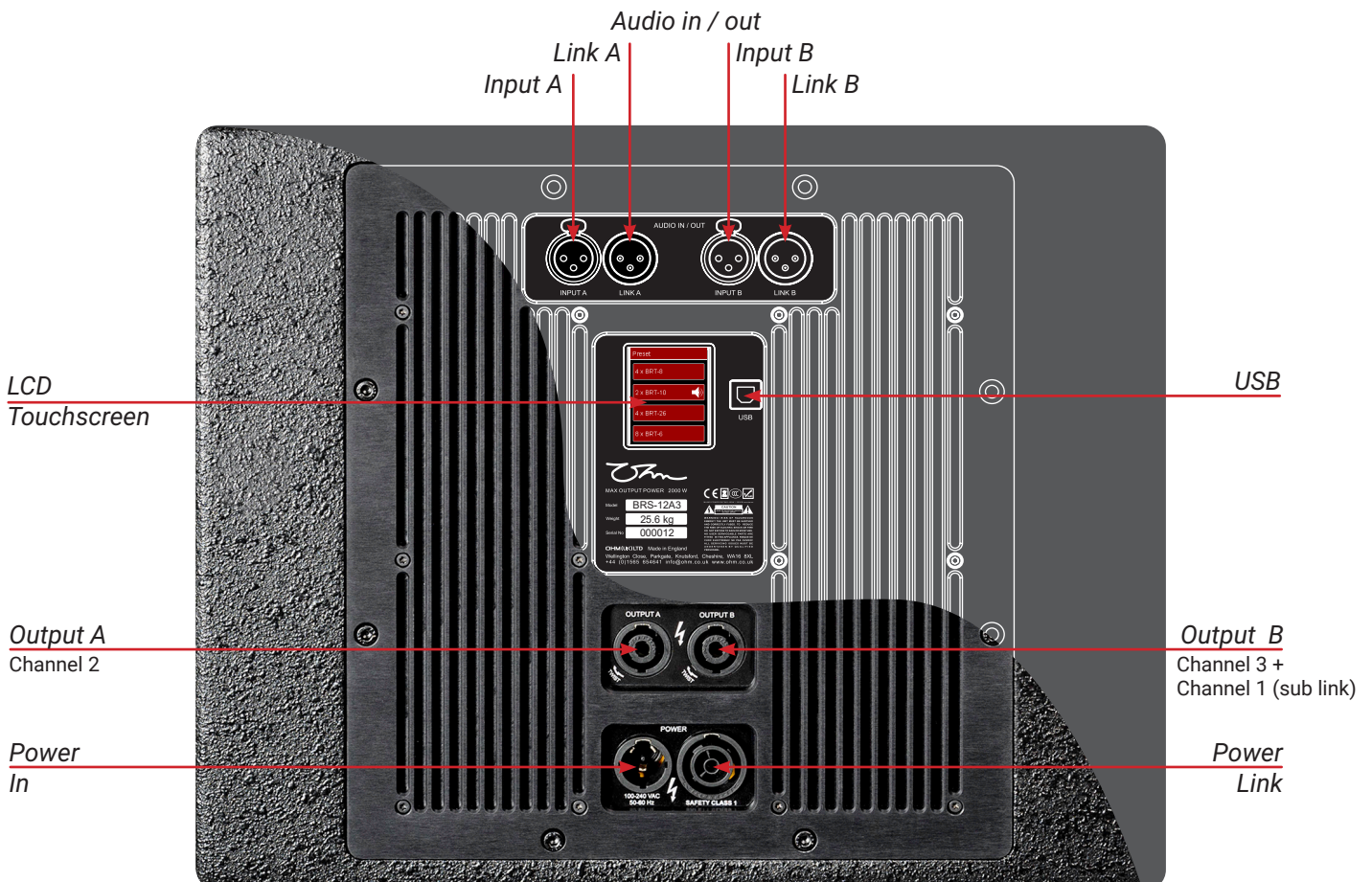
Solving distributed audio by using 8 x BRT-6 in combination with the 'powerhouse' BRS-12A3 and BRS-12, using the onboard 3 channel delay/gain control and PEQ to fully integrate the sound into the environment.

Solving compact portable audio by using 2 x BRW-26 1x BRS-12A3, 1 x BRS-12 and pole mounts that all fit in the back of a standard car. The system is light enough to carry, the whole system to be conveniently stacked and transported on the optional wheel board.

An infinite amount of combinations are possible by linking more than one BRS-12A3 together for larger projects. Where will your creativity take you?

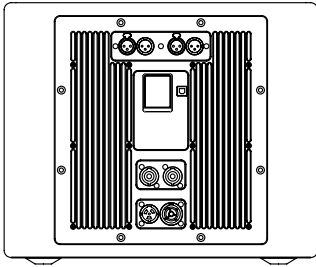
User Friendly

The BRS-12A3 back panel has been simplified to make setup easy. There are no buttons or dials, just physical connections and a touchscreen. The power can be switched on and off by turning the switch rated powerCON TRUE1 connector, even under full load. There are no fans in this unit as it self cools. So there are no filters to clean and no vents to protect from unwanted liquid or particle ingress. For flexibility each input has a link out, so your system can grow as your projects do.

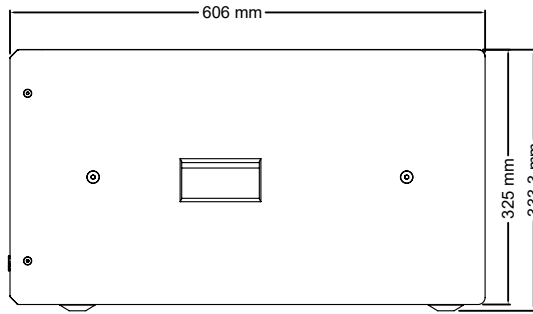


BRS-12A3 Dimensions

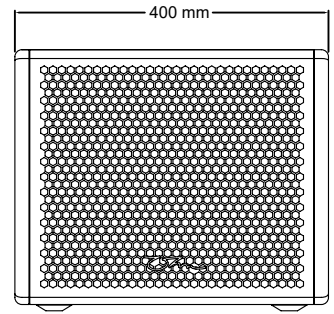
Front



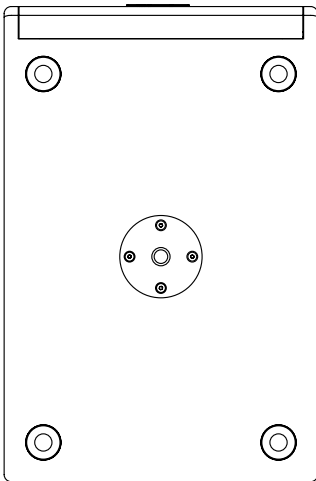
Side



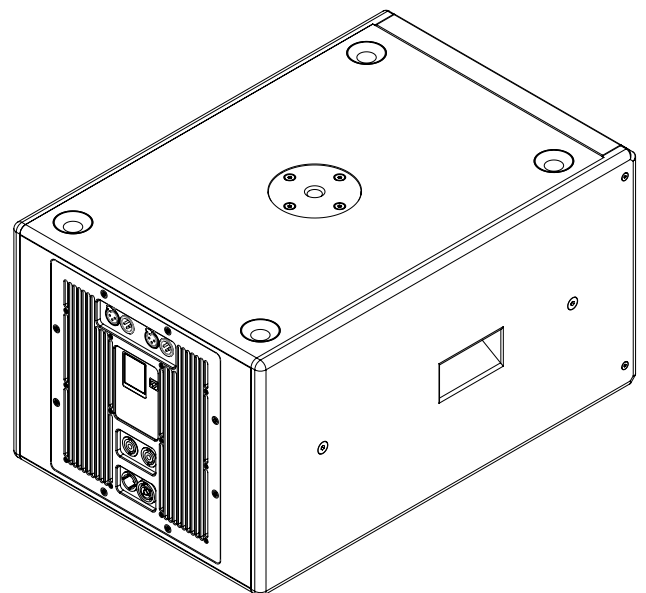
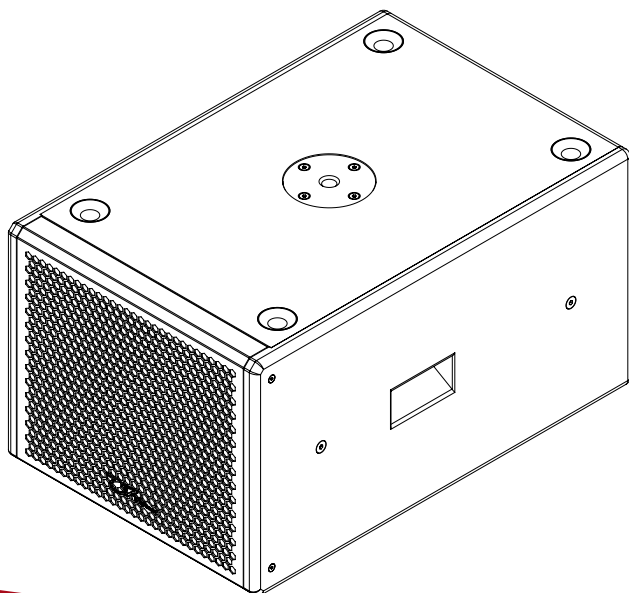
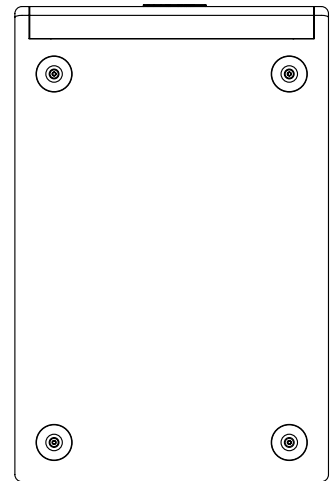
Back



Top



Bottom



BRS-12A3 Technical Specifications

Design

12" Active Subwoofer with integrated DSP, Reflex Tuning

Amplifier Gain

26 dB

Internal Power Amps

Subwoofer - 1050 W RMS @ 4Ω
Mid-high - 2 x 500 W RMS @ 4Ω

Internal DSP

32-bit floating point signal processing using Sharc processing. Integrated Peak and RMS limiting

Sensitivity Chassis 1w/1m

96 dB

Max. SPL

123 dB cont. / 129 dB peak (frequency dependent)

Frequency Response (±3 dB)

39 Hz – 110 Hz

Usable Frequency Range (-10 dB)

33 Hz - 110 Hz

Mains Input Voltage

110 - 240 V AC only

Mains Input Power Draw (max)

400 W

Dispersion

OMNI

SYSTEM OPERATION

System Controller

Integrated DSP

Input connection

Balanced XLR input with parallel link outputs

Protection

Internal multi-band Peak and RMS Limiter. DC, HF and thermal protection

PRODUCT FEATURES

Components

1 x 12" Low Frequency Driver

Crossover

Variable

Connectors

2 x XLR female, 2 x XLR male, 2 x 4 pole speakON® and 1 x powerCON® True1 Connector male, 1 x powerCON® True1 Connector female

Dimensions (H x W x D mm)

333.3 x 400 x 606

Weight (kg)

25.6

Shipping Weight (kg)

26.6 (1 cabinet per carton)

Colour

Black

Options

Available in white or RAL colours on request

Rigging

-

HARDWARE

Fitted as Standard

TP-1P Threaded adaptor Plate, Stacking foot system, Pocket handles

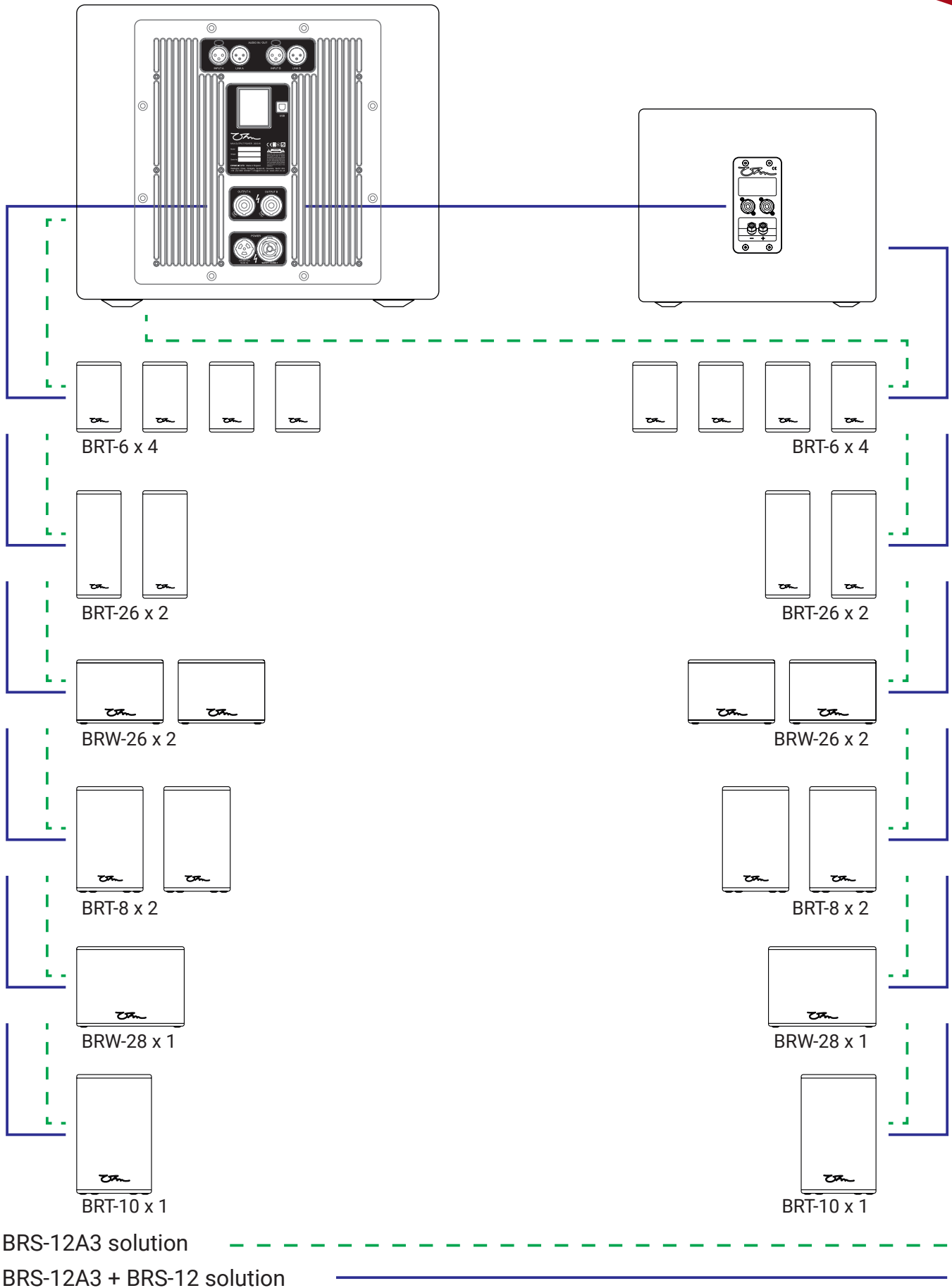
Optional

TP-1 adjustable threaded pole. BRSC-12 Cradle

Additional Descriptive Data

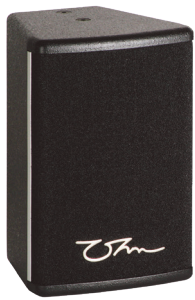
Birch plywood construction, with durable scratch resistant black textured paint finish, kick-proof steel grill and internal black foam with Ohm logo.

Example System Setups



BR SERIES Tops

Perfect matches with BRS-12A3 and BRS-12 subs



BRT-6



BRT-26



BRW-26



BRW-28



BRT-8

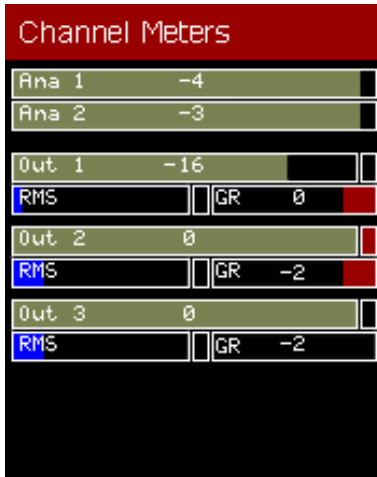


BRT-10

Model	Type	Impedance (Ohms)	Power Cont / Peak	MAX SPL Cont / Peak	Freq response (-10 dB)	Dispersion	Weight (kg)	Dimensions h x w x d (mm)
BRT-6	Mid-high	16	150 / 600 W	111 / 117 dB	74 Hz - 26 kHz	120° x 60°	4.4	300 x 190 x 188
BRT-26	Mid-high	8	250 / 1000 W	114 / 120 dB	77 Hz - 26 kHz	120° x 40°	6.6	460 x 190 x 188
BRW-26	Mid-high	8	250 / 1000 W	115 / 121 dB	75 Hz - 26 kHz	160° x 40°	11.6	270 x 370 x 274.5
BRW-28	Full range	8	400 / 1600 W	124.8 / 130.8 dB	69 Hz - 26 kHz	160° x 40°	18.6	344.5 x 460 x 325
BRT-8	Full range	12	200 / 800 W	120 / 126 dB	75 Hz - 25 kHz	90° x 60°*	13.4	458 x 284 x 250
BRT-10	Full range	8	300 / 1200 W	121.8 / 127.8 dB	72 Hz - 22 kHz	90° x 60°*	20.8	512.5 x 320 x 280

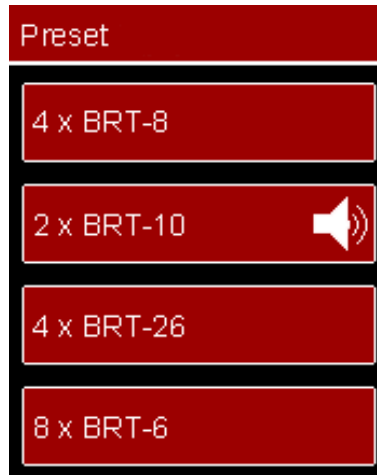
*Rotational horn

LCD Touchscreen



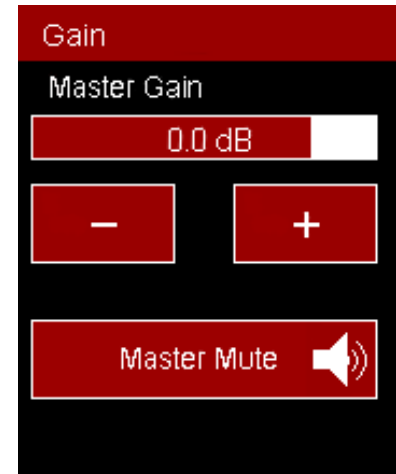
Channel Meters:

View RMS & gain reduction levels in real time.



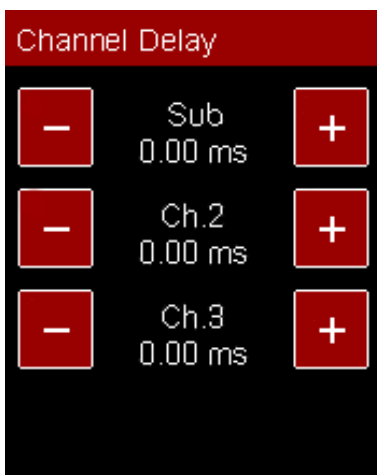
Preset:

User selectable presets.



Master Gain:

Master gain and mute control.



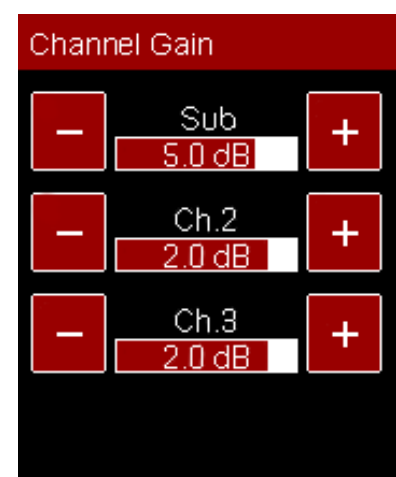
Channel Delay:

Up to 1 second delay per channel.



Mute and Phase:

Individual channel mute and phase control.



Channel Gain:

Individual gain control.

pro-A-sync Software

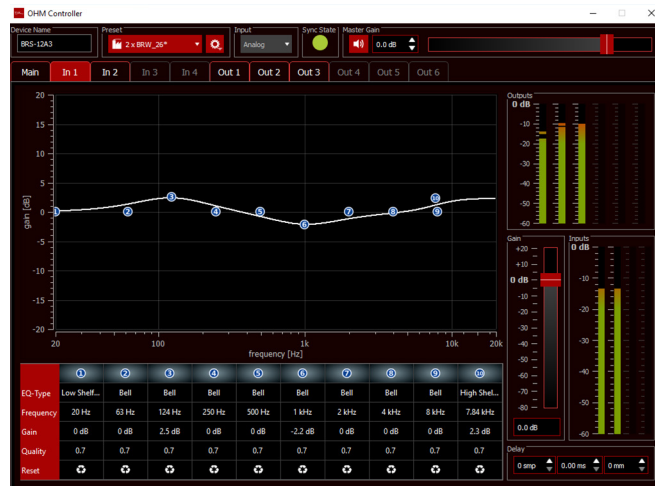


Main Page:

Dedicated main channel gain page with live level monitoring

Input Page:

10 band PEQ per input and output



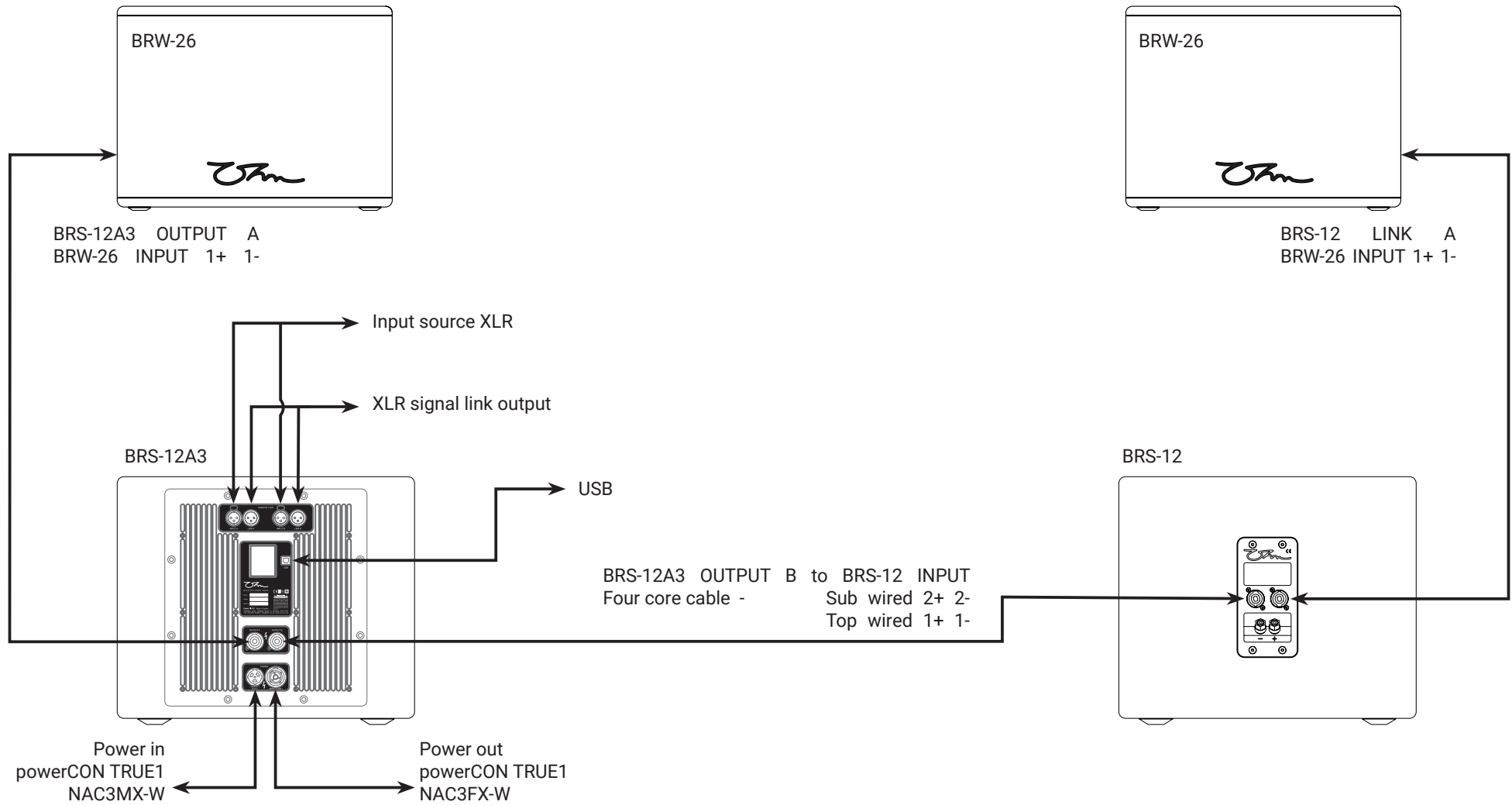
Output Page:

configurable output limiting, delay, filters and EQ that store directly to the unit for easy recall



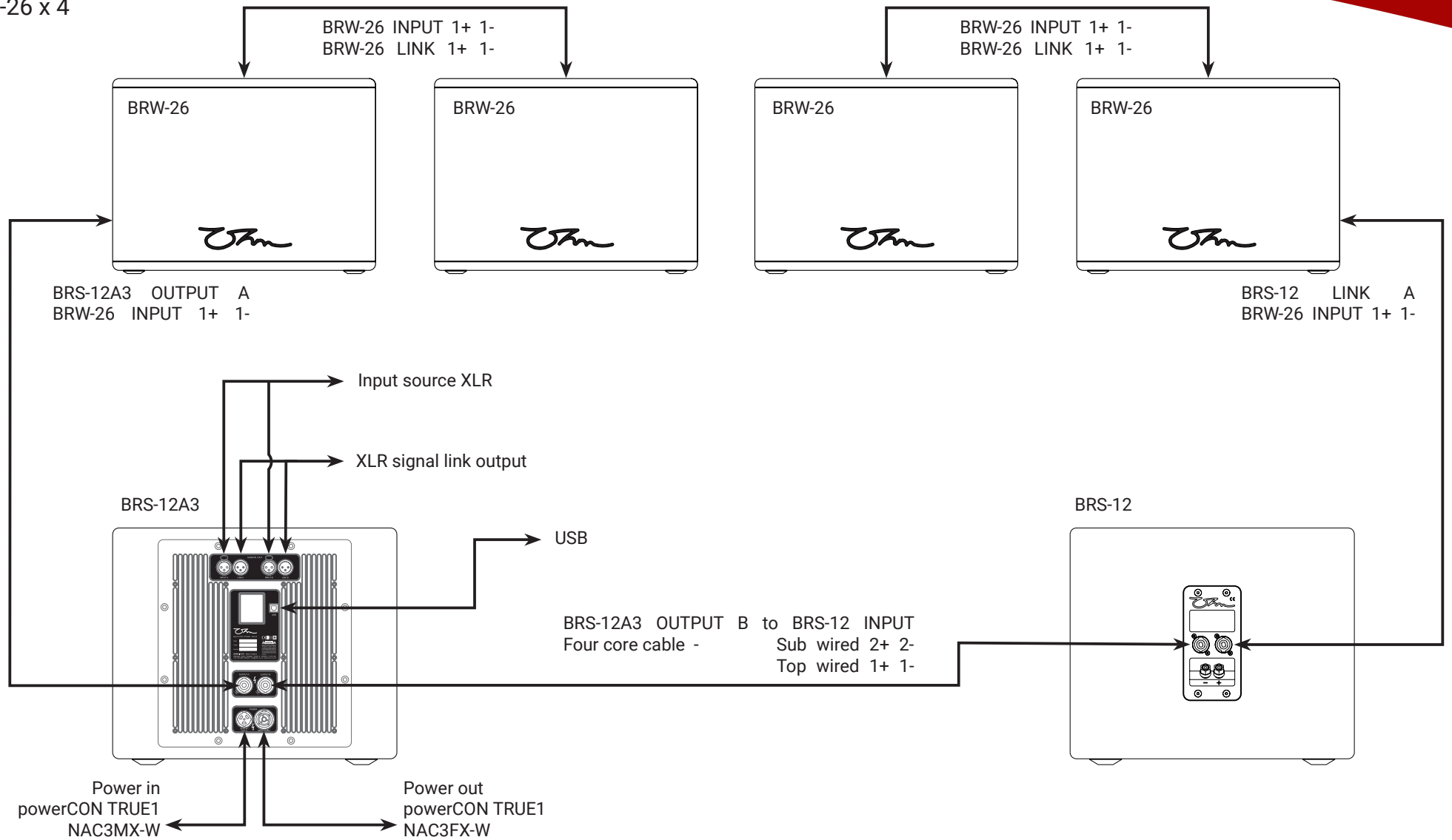
System Wiring Diagram

- BRS-12A3 x 1
- BRS-12 x 1
- BRW-26 x 2



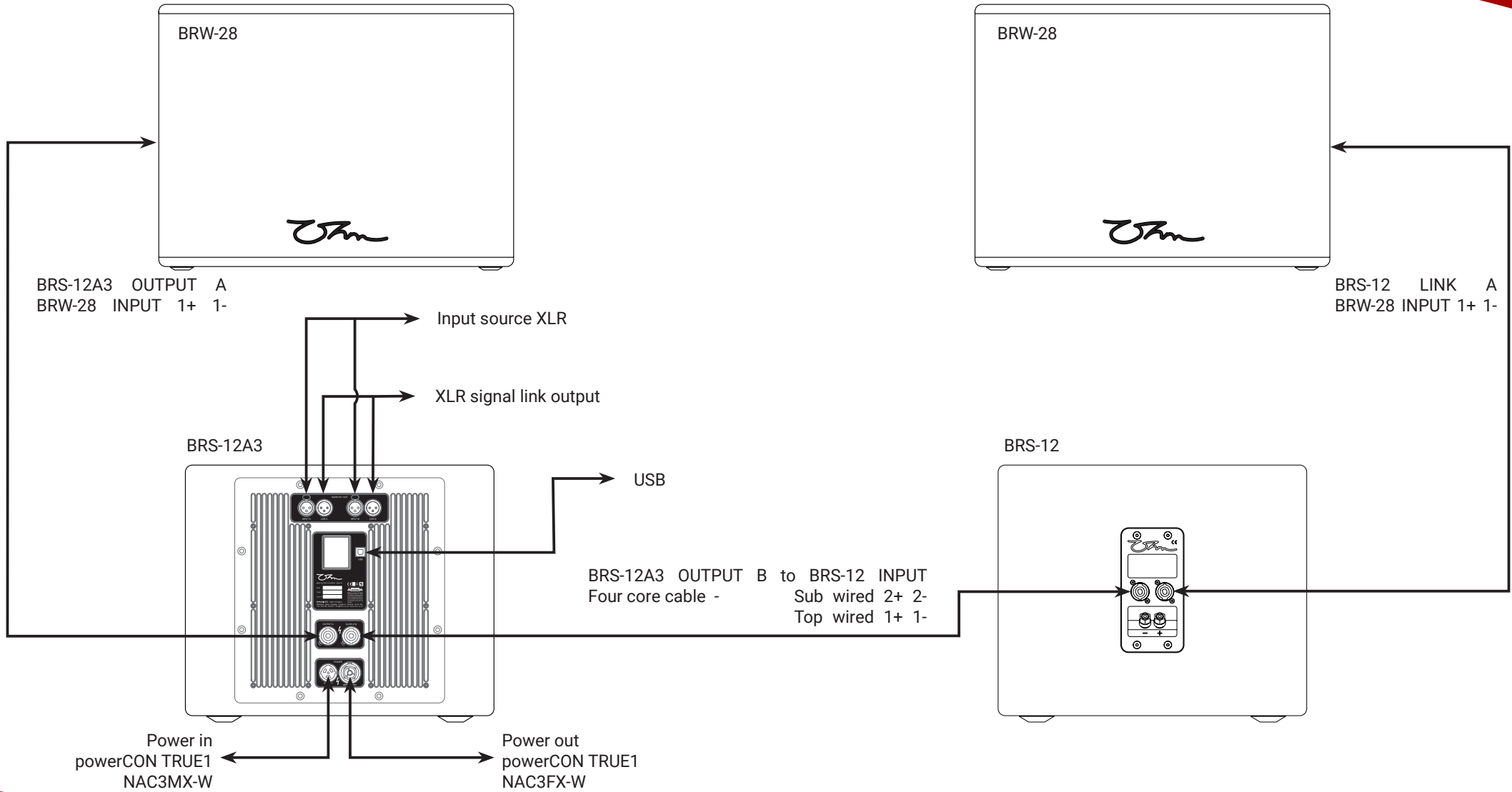
System Wiring Diagram

- BRS-12A3 x 1
- BRS-12 x 1
- BRW-26 x 4



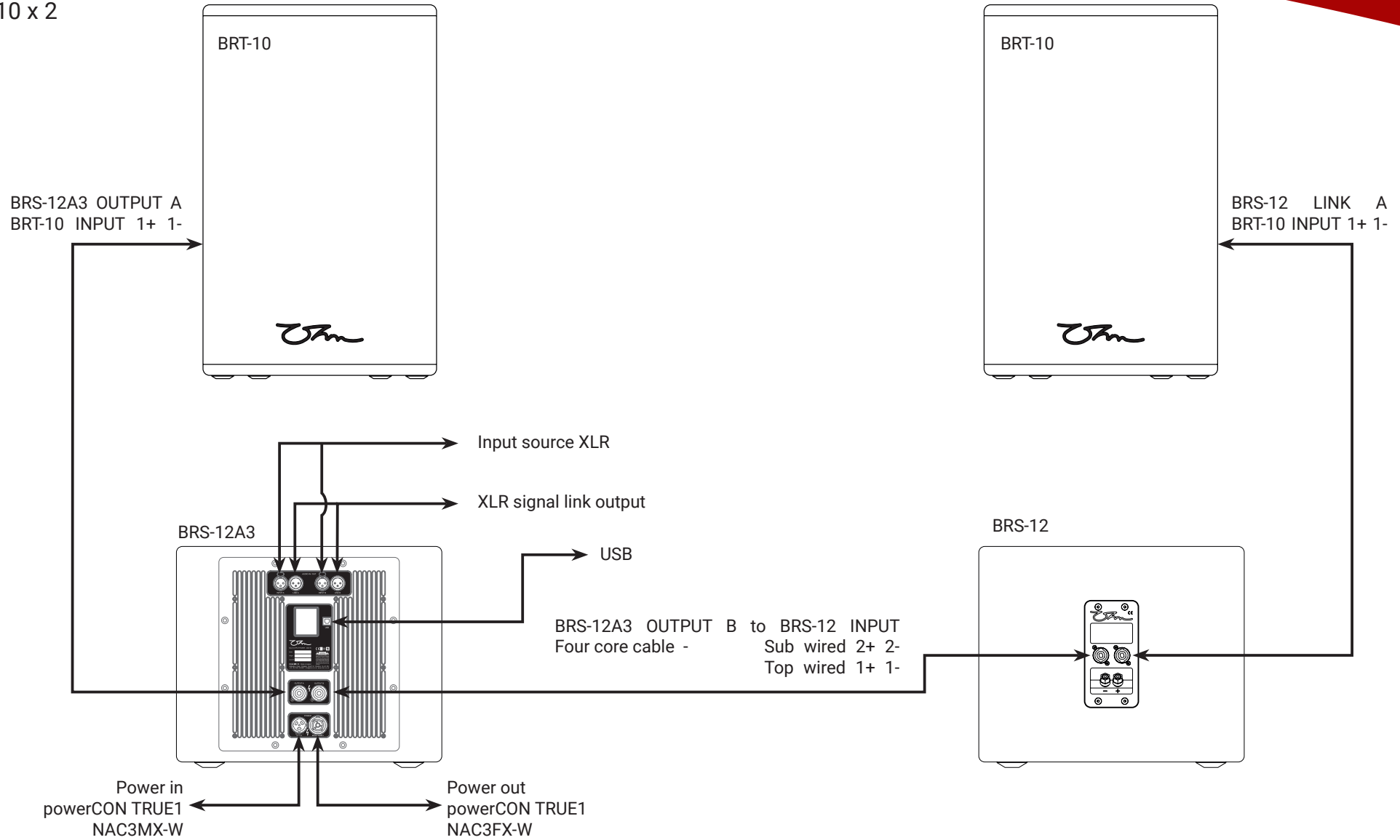
System Wiring Diagram

- BRS-12A3 x 1
- BRS-12 x 1
- BRW-28 x 2



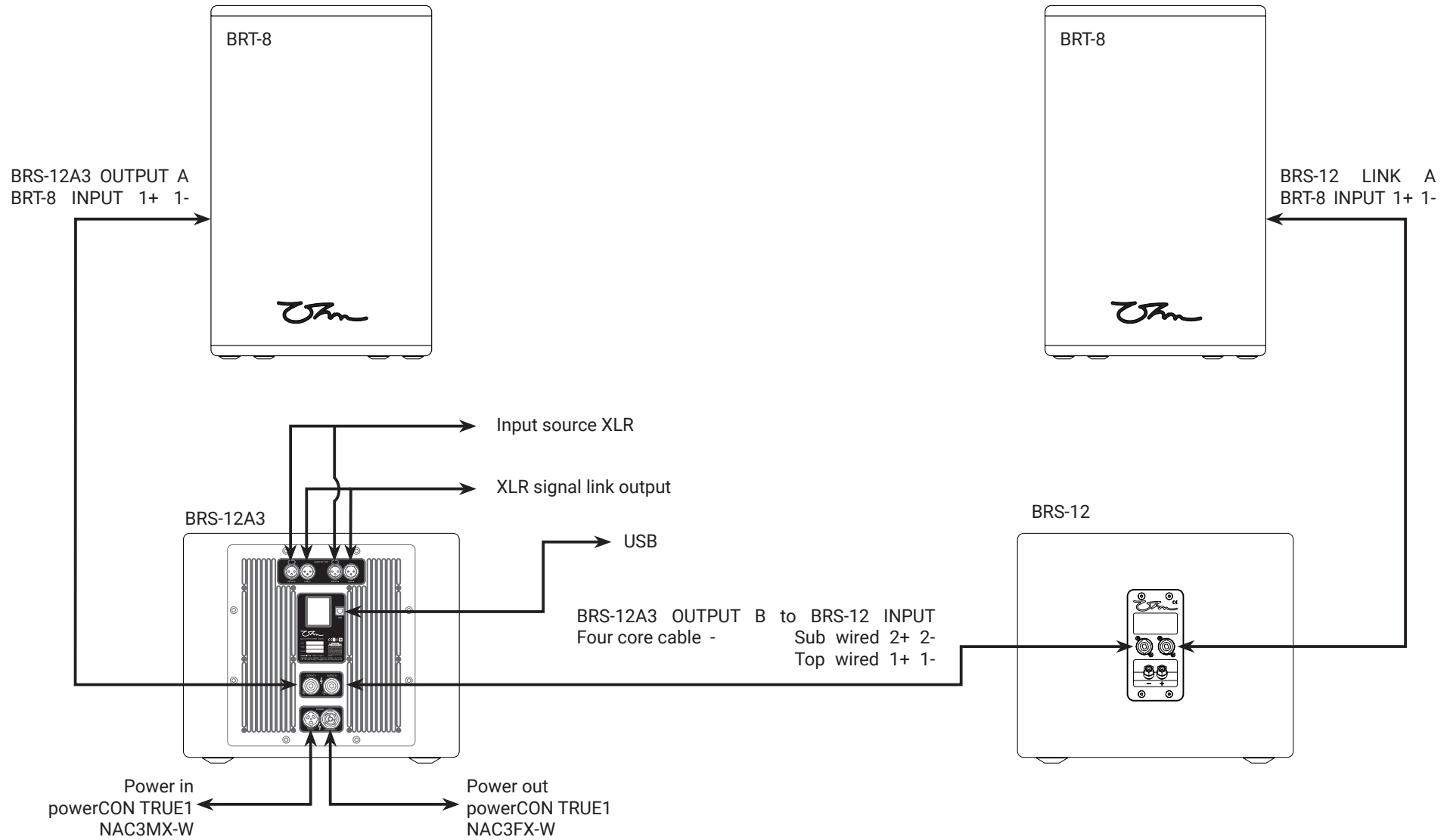
System Wiring Diagram

- BRS-12A3 x 1
- BRS-12 x 1
- BRT-10 x 2



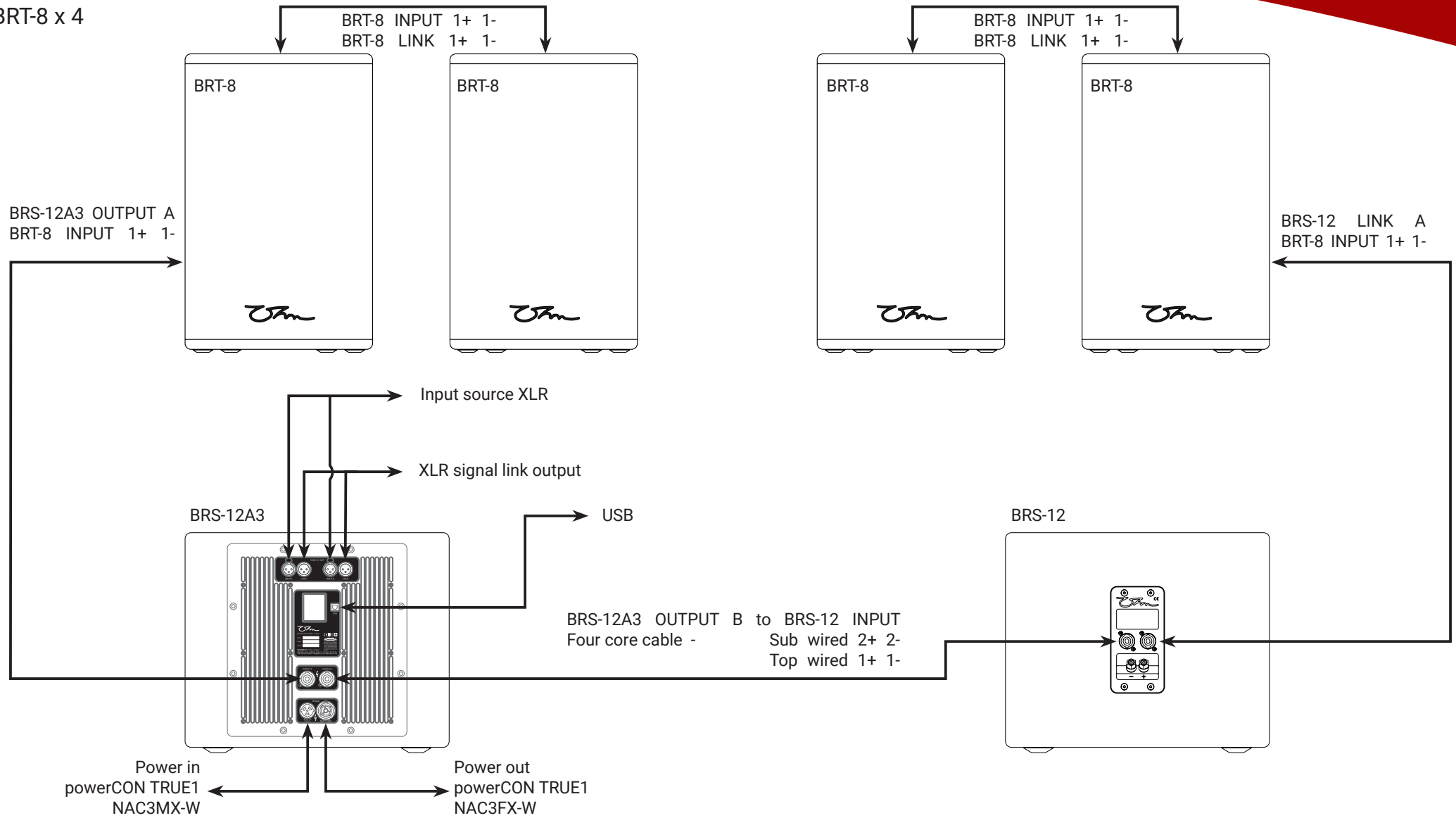
System Wiring Diagram

- BRS-12A3 x 1
- BRS-12 x 1
- BRT-8 x 2



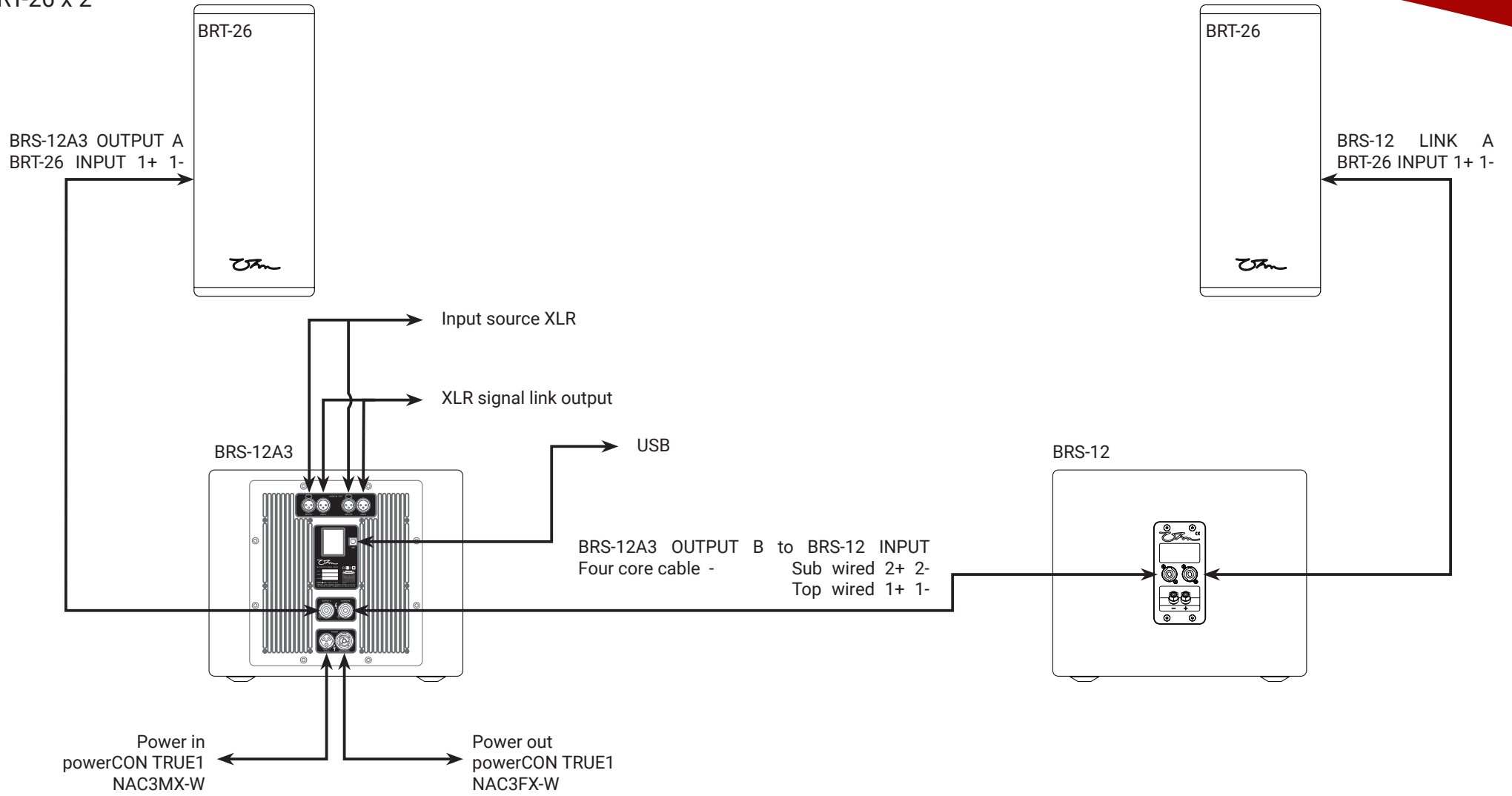
System Wiring Diagram

BRS-12A3 x 1
BRS-12 x 1
BRT-8 x 4



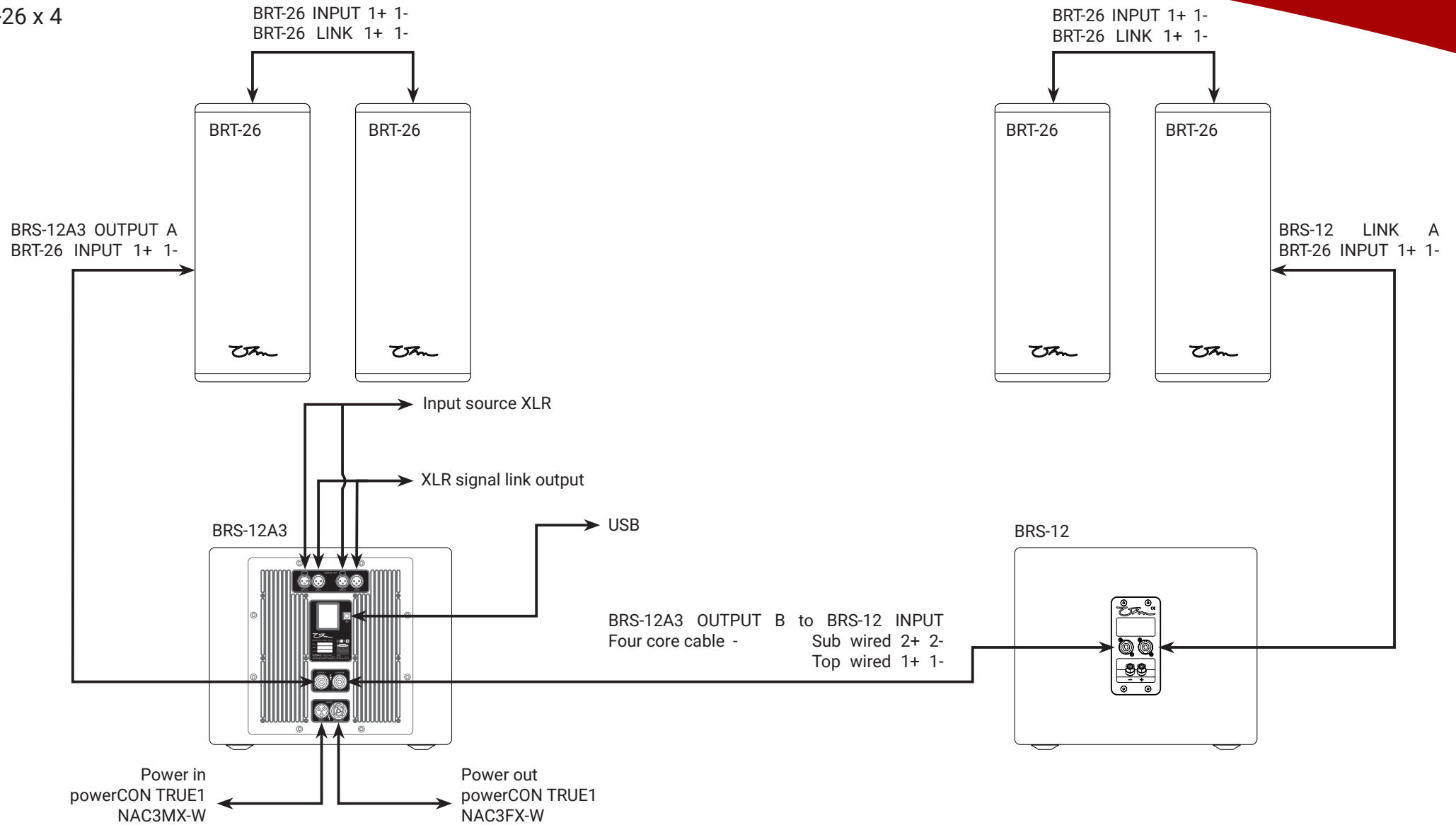
System Wiring Diagram

- BRS-12A3 x 1
- BRS-12 x 1
- BRT-26 x 2



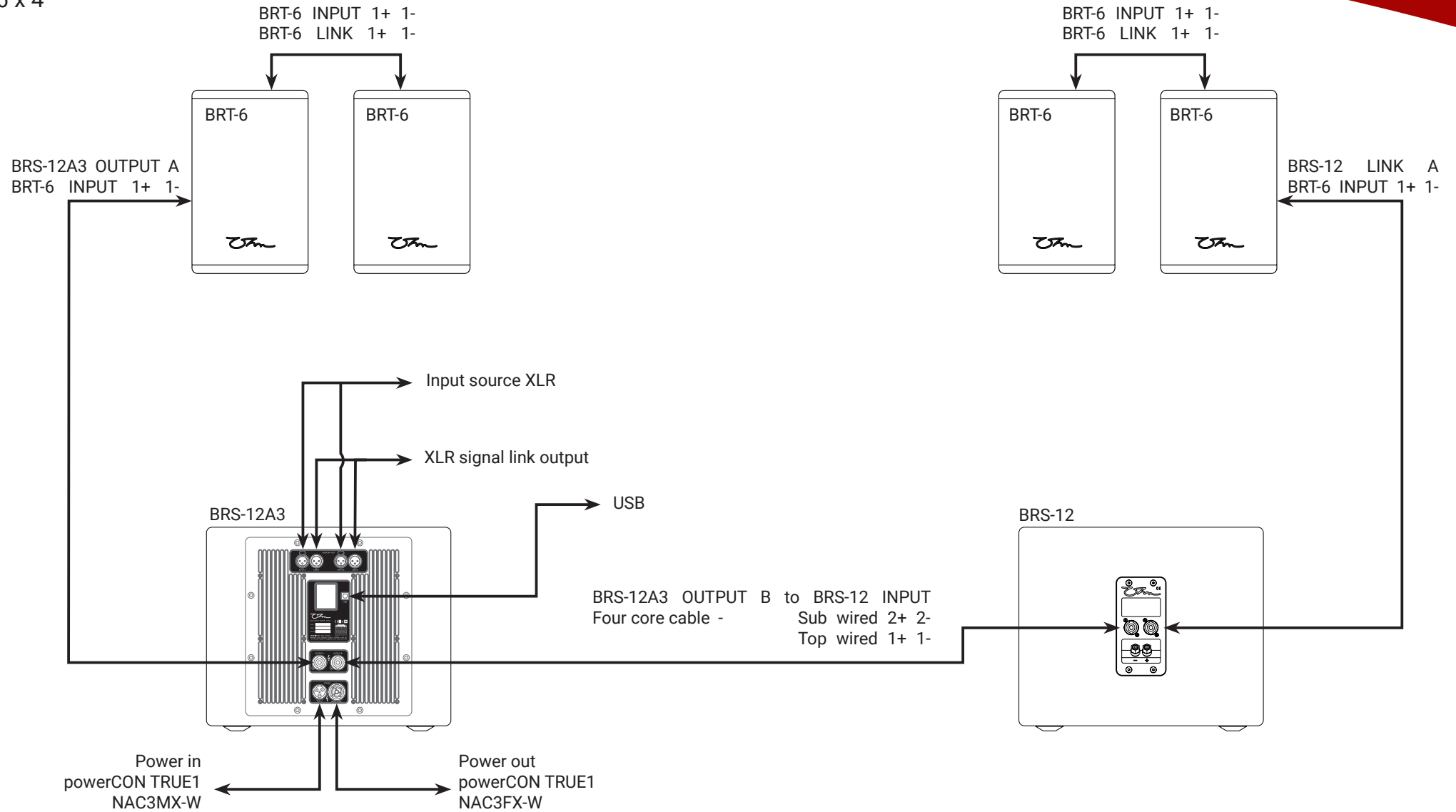
System Wiring Diagram

- BRS-12A3 x 1
- BRS-12 x 1
- BRT-26 x 4



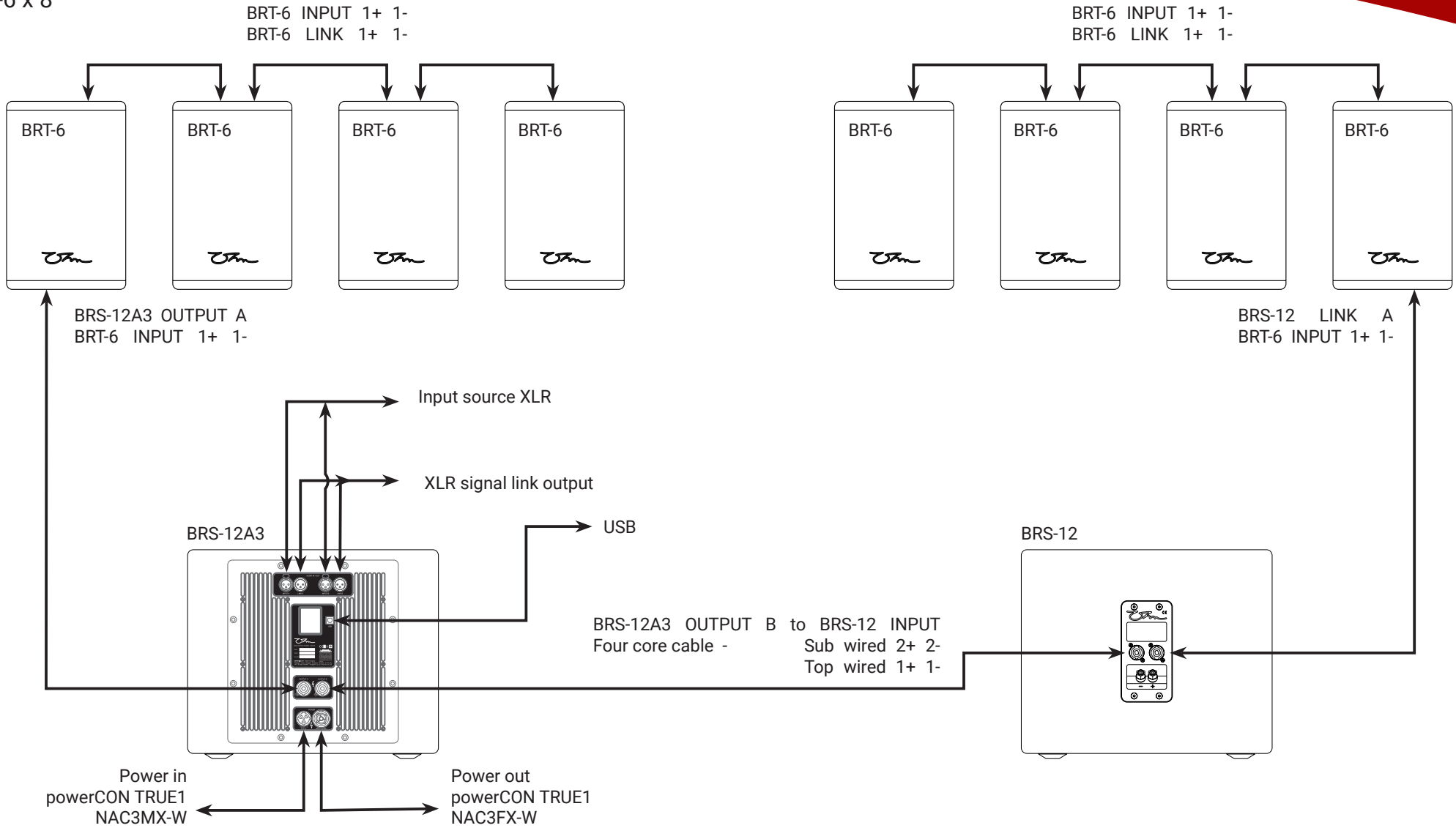
System Wiring Diagram

BRS-12A3 x 1
BRS-12 x 1
BRT-6 x 4



System Wiring Diagram

BRS-12A3 x 1
BRS-12 x 1
BRT-6 x 8



System Wiring Diagram

- BRS-12A3 x 1
- BRS-12 x 1
- KX-3 x 2

